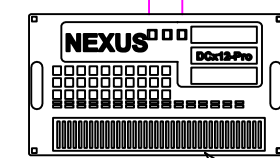
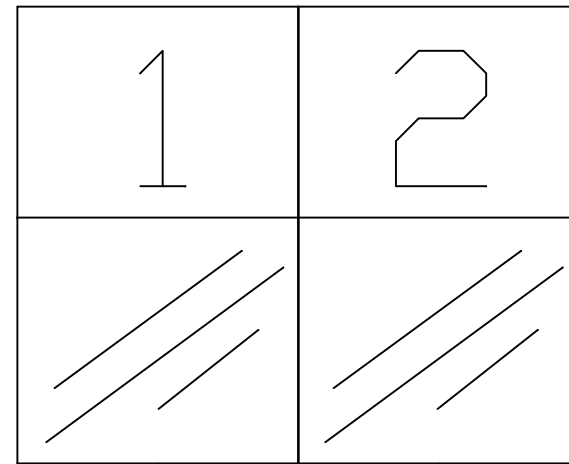
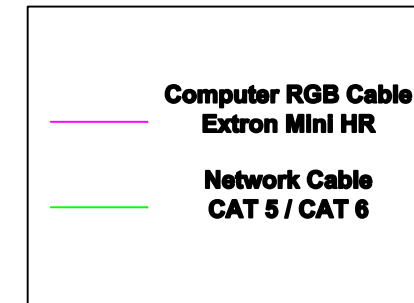
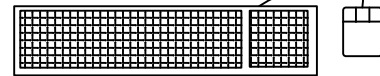


# 1x2 Video Wall



2 x High Resolution Display Channel output to each Projector on RGBHV connection

Nenux  
DCx2-Lite  
Videowall  
Controller



Using the Nenux DCx  
Enabler 2.3 software, the  
supervisor will be able to  
launch, schedule, and  
control the controller  
remotely.

